



K21

2U Active Air Cooler

PRODUCT SPECIFICATIONS

Model Number: K21

- Recommend for Intel® CPU as following
 - Intel® Xeon® Processor E3 v4 Family, Socket FCLGA 1150
 - Intel® Xeon® E Processor/Intel Core™ i7 Processor, Socket FCLGA 1151;
 - Intel® Xeon® Processor E3 Family/Intel Core™ i5 Processor, Socket LGA 1155;
 - Intel® Xeon® processor X3400, Socket LGA 1156;
 - Intel® Core™ i9 Processor, Socket FCLGA 1200;
- Active Cooler for 2U Server & Up

Overall Specification

Dimension	90.7 x 85.0 x 64.0 mm
Weight	500g
Material	Copper Base & Aluminum Fins with Heat Pipe embedded
Fan	6025 Side-blow fan with PWM Function
Mounting Method	Cooler Mounted in Captive design
Back Strip Set	Included
Thermal Grease	SHIT-ETSU 7762
TDP	Up to 125 Watts

Cooling Fan Specification

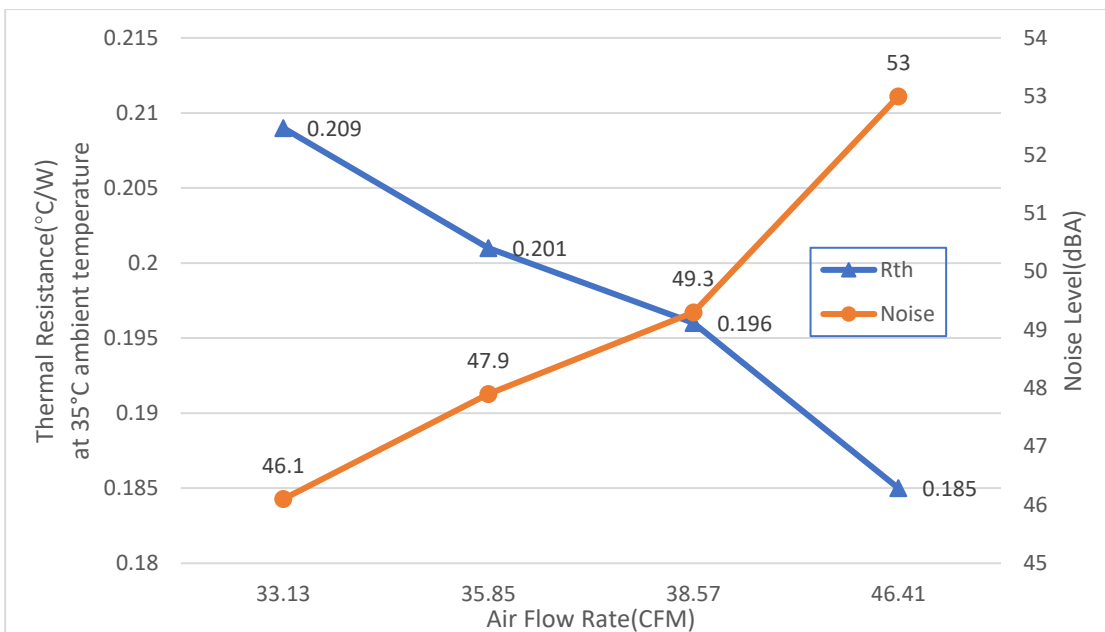
Model Number	DF126025BH-PWMG
Dimension	60 x 60 x 25 mm
Bearing	Double Ball
Rated Voltage	12V
Rated Speed	At Duty Cycle 0~20%: 1600+ 200 RPM At Duty Cycle 50%: 4000 ±10% RPM At Duty Cycle 100%: 8000 ± 10% RPM
Input Power	At Duty Cycle 0~20%: 1.2 W At Duty Cycle 50%: 2.28 W At Duty Cycle 100%: 7.20 W
Maximum Airflow	At Duty Cycle 0~20%: 9.28 CFM At Duty Cycle 50%: 23.21 CFM At Duty Cycle 100%: 46.41 CFM
Rated Static Pressure	At Duty Cycle 0~20%: 0.76mm-H2O At Duty Cycle 50%: 4.76 mm-H2O At Duty Cycle 100%: 19.04 mm-H2O
Acoustical Noise	At Duty Cycle 0~20%: 18 dBA At Duty Cycle 50%: 37.89 dBA

K21 | Socket LGA 1156/1200

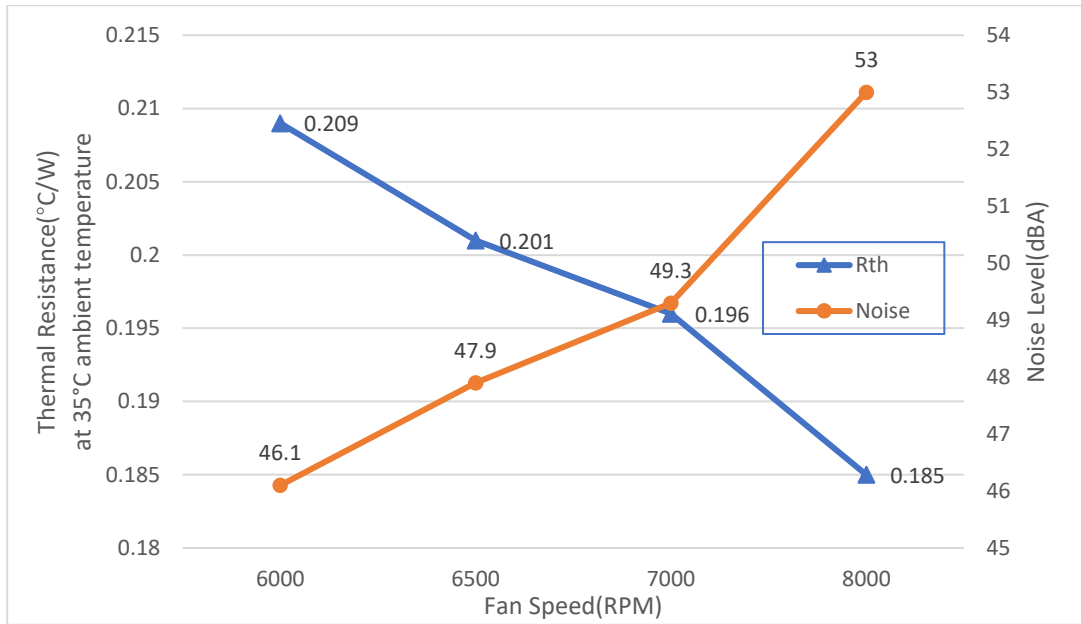
	At Duty Cycle 100%: 52.94 dBA
Lead Wire Pin Out	Pin#1- Black(-) Pin#2- Yellow(+) Pin#3- Green(Tachometer/ Signal Output) Pin#4- Blue (PWM)

Performance Chart: Active Cooler K21 Thermal Resistance

Active Cooler K21 Cooling Performance vs. Airflow



Active Cooler K21 Cooling Performance vs. Fan Speed

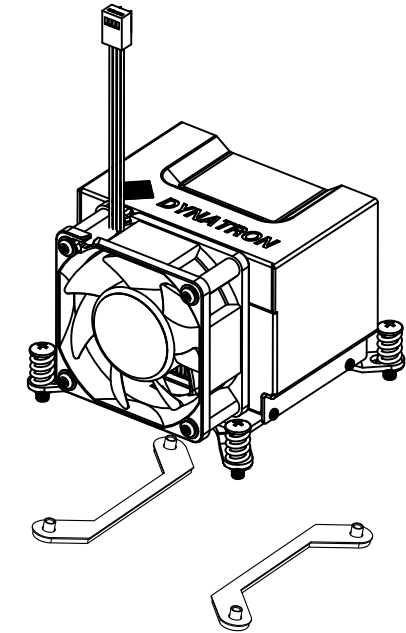
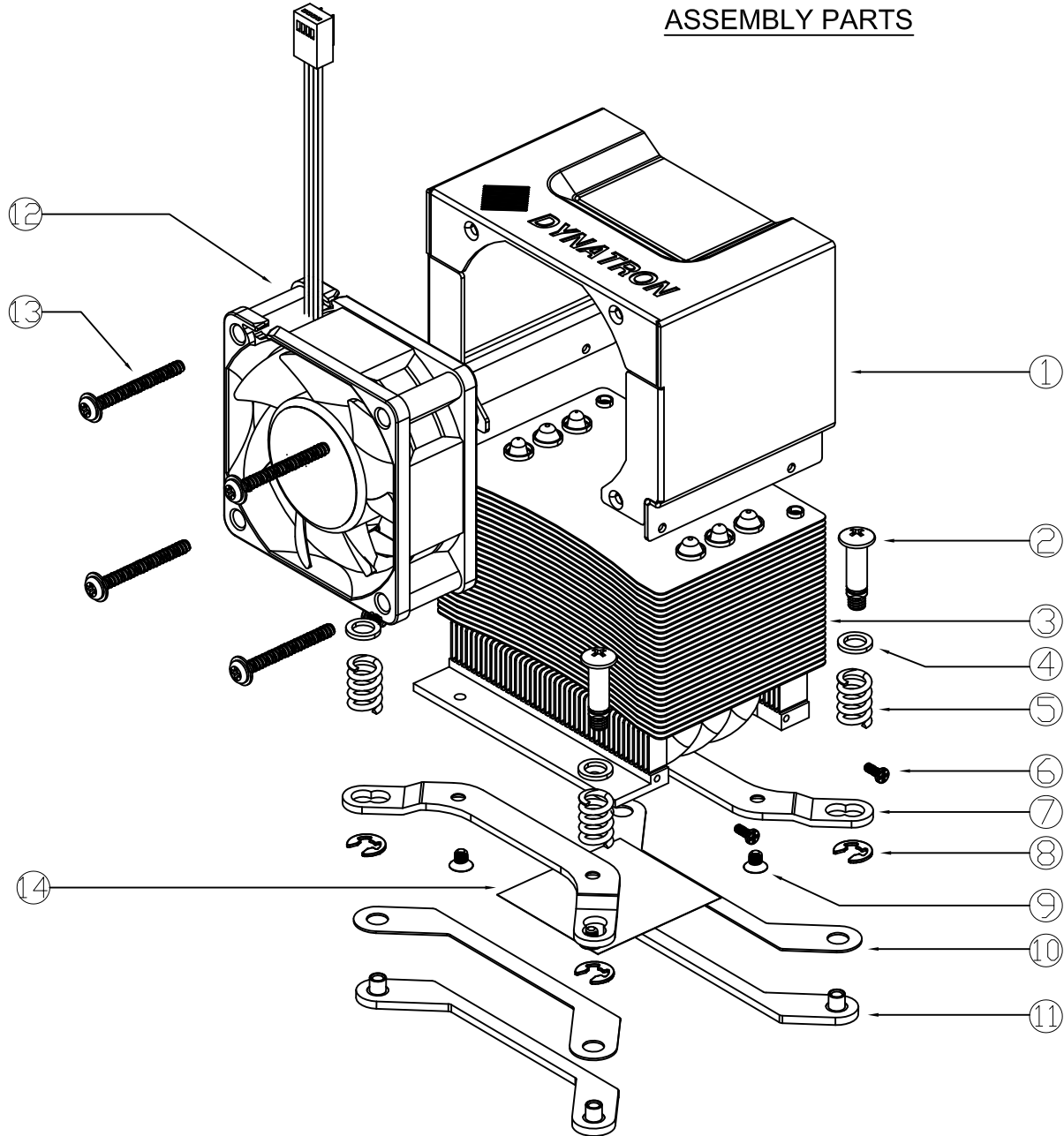


THIS DRAWING CONTAINS INFORMATION PROPRIETARY TO DYNATRON CORPORATION AND DYNAEDN INDUSTRIAL CO., LTD. ANY REPRODUCTION, DISCLOSURE, OR USE OF THIS DRAWING IS EXPRESSLY PROHIBITED EXCEPT AS DYNATRON CORPORATION AND DYNAEDN INDUSTRIAL CO., LTD. MAY OTHERWISE AGREE TO IN WRITING.

REV#	DESCRIPTION	CHECKER	DATE
0.0	INITIAL RELEASE	LANG	05/26/21

ASSEMBLY PARTS

WHOLE SET OF COOLER



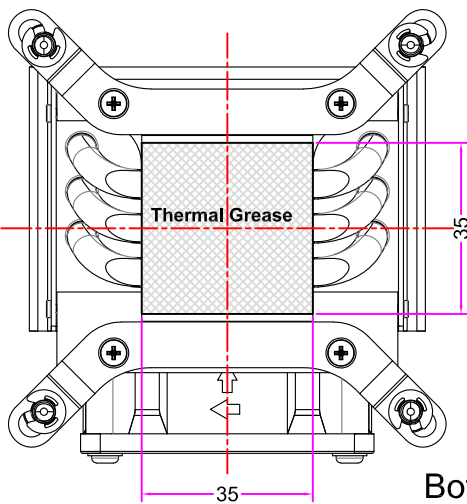
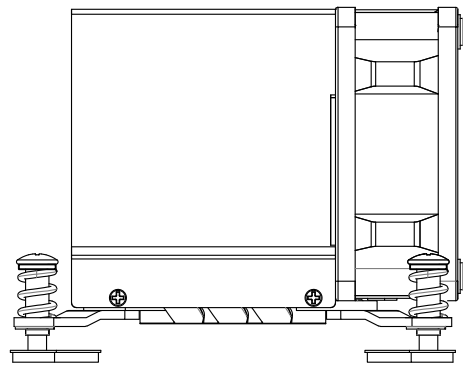
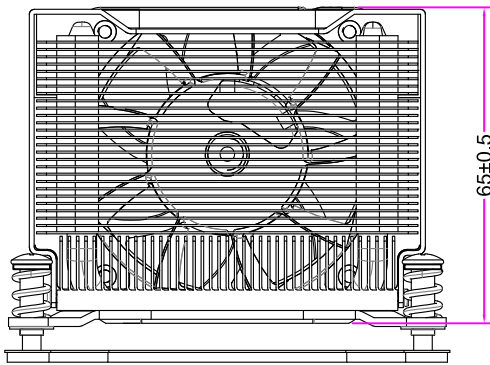
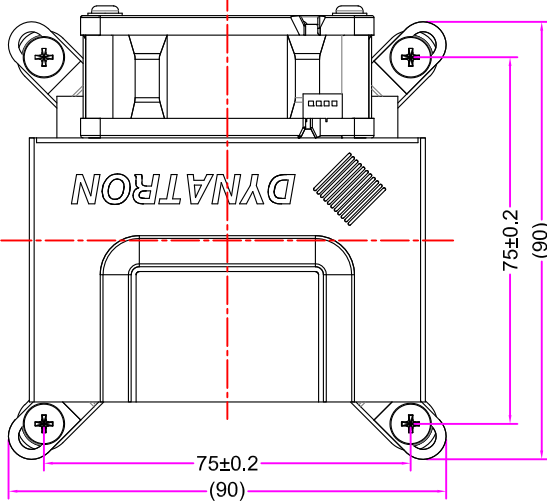
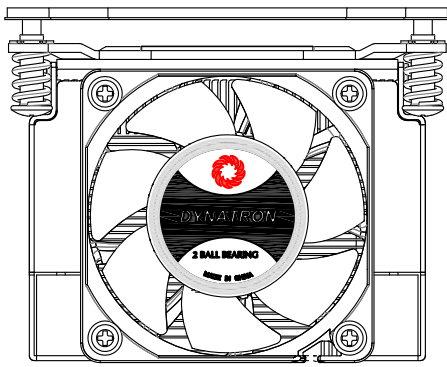
14	THERMAL GREASE, PRINTED	SHIN-ETSU 7762	1
13	SCREW, FAN	STEEL	4
12	FAN, DF126025BH-PWM, 8000RPM	PLASTIC	1
11	BACK STRIP	SPCC	2
10	INSULATOR	FORMAX, G-17	2
9	SCREW, RETENTION	STEEL	4
8	C-RING	STEEL	4
7	RETENTION	SK7	2
6	SCREW, FAN COVER	STEEL	4
5	SPRING, 10mmL	SUS304	4
4	WASHER	STEEL	4
3	HEATSINK, HCC STRUCTURE	CU.BASE+AL.FIN+HP	1
2	SCREW, HEATSINK, M3x0.5	STEEL	4
1	COVER, FAN	ALUMINUM	1
ITEM#	DESCRIPTION	MATERIAL	QTY.

NOTES:

1. THE FIGURE IS FOR REFERENCE ONLY, AND NOT FOR SCALE
2. OVERALL DIMENSION: 90.7 x 85.0 x 64.5 mm
3. OVERALL WEIGHT: 500g

DATE	NAME	DYNATRON CORPORATION	
05/26/21	enqr	TITLE: 2U Active Cooler K21 BOM & Exploded Assembly Drawing	
05/26/21	LANG		
DWG. No:		DYN-EP-K21	REV 0.0

REV#	DESCRIPTION	CHECKER	DATE
0.0	INITIAL RELEASE	LANG	05/26/2021



Bottom View with Back Strip Removal

	NAME	DATE
DRAWN BY	ENGR	05/26/2021
CHECKED BY	LANG	05/26/2021
ENG. APPROVED		
MFG. APPROVED	-	-
Q.A.	-	-



DYNATRON CORPORATION

TITLE:

2U Active Cooler **K21**
Overall Dimension Drawing

CONFIDENTIAL DOCUMENT
THIS DRAWING CONTAINS INFORMATION PROPRIETARY TO DYNATRON CORPORATION AND DYNAEON INDUSTRIAL CO., LTD. ANY REPRODUCTION, DISCLOSURE, OR USE OF THIS DRAWING IS EXPRESSLY PROHIBITED EXCEPT AS DYNATRON CORPORATION AND DYNAEON INDUSTRIAL CO., LTD. MAY OTHERWISE AGREE TO IN WRITING.

VIEW	
UNITS	MM

DWG. No:

DYN-DM-K21

REV.
0.0



Certificate of Environment Protection

環保證明書

Customer: 客戶名稱:	Company: _____ Address: _____ Phone Number: ____ - ____ - _____
Issue Date:	05/26/2021
Product Model Number:	K21
<p> Dynatron Corporation hereby declares and certifies that all components manufactured are RoHS compliant according to the definitions and restrictions given by the European Union's Restriction (Directive 2002/95/EC) (Decision2011/65/EU)RoHS 2, on the restriction of the use of certain Hazardous Substances in the electrical and electronic equipment. Also, compliance to the most recent list of substances on the REACH candidate list. </p> <p> Number of substances on the Candidate List: 168 (last updated: 17/12/2015) </p> <p> No exemptions are claimed in order for the part to be compliant with the RoHS directive. </p> <p> Dynatron Corporation / 政久興業股份有限公司證明所有產品,零件 (包括附屬品, 包裝類) 之環境管理物質完全符合 RoHS, WEEE, 及該環保標準之規定, 並承諾遵循以上之證明. </p> <div style="text-align: right; margin-top: 20px;"> <p> Dynatron Corporation. 33200 Western Ave, Union City, CA 94587 www.Dynatron-corp.com </p> </div> <p style="margin-top: 20px;"> Title (職務): _____ ASSISTANT-MANAGER _____ </p> <p style="margin-top: 10px;"> Signature (簽字): _____ <i>Alan Lee</i> _____ </p> <p style="text-align: right; margin-top: 10px;"> Date: 05 / 26 / 2021 </p>	

